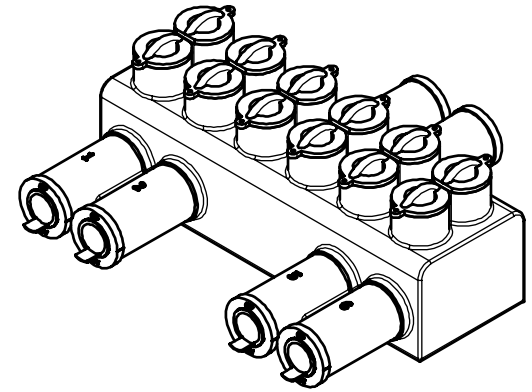
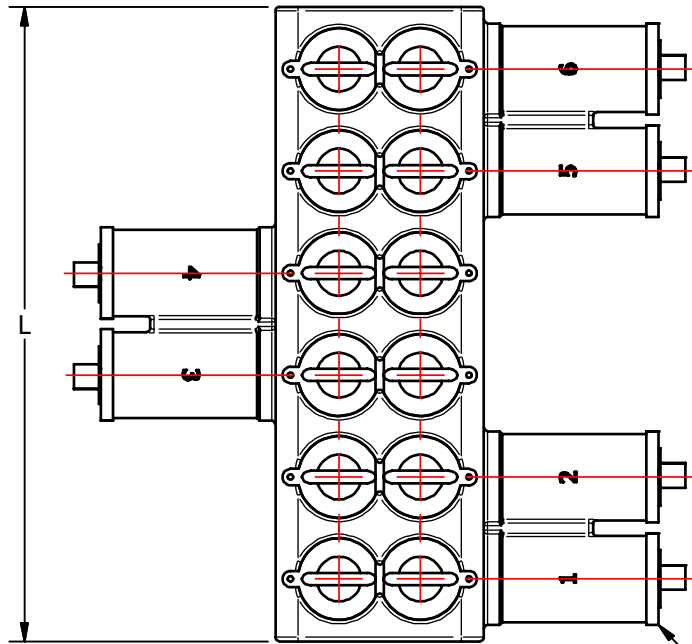
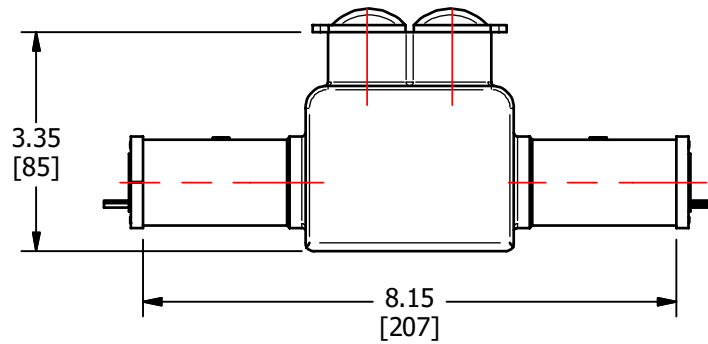


S.NO	CATALOG NUMBER	L	N
1	SSBC750-4-2	9.70 [246]	4
2	SSBC750-6-2	12.82 [326]	6

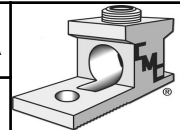


N - (WIRE PORTS)



INSULATION MATERIAL: EPDM RUBBER  
CONNECTOR MATERIAL: ALUMINUM  
CONDUCTOR RANGE: 750 KCMIL-2

					TO ORDER CMC PRODUCTS	DRAWN BY: TS	NAME OF PART:	CAT. NO.:
					UNITED STATES 1-513-860-4455	01-14-20	SURE SEAL COVER	SEE TABLE
					CANADA 1-800-361-6975	CHECKED BY:	DWG NO:	
					MEXICO 011-52-722-265-4400		U22700226-S (CHARTED)	A
A	NEW DRAWING CREATED		01-14-20	TS	FOR PRODUCT INFO www.cmcugs.com	DRAWING NOT TO SCALE		SHEET NO: 1 OF 1
REV.	DESCRIPTION	ECN	DATE	INIT.				



THIS INFORMATION IS PROPRIETARY TO CONNECTOR MFG. CO. AND IS NOT TO BE DISCLOSED OUTSIDE OF CONNECTOR MFG. CO. WITHOUT A CONFIDENTIALITY AGREEMENT



**CONNECTOR MANUFACTURING CO.**

HAMILTON, OHIO